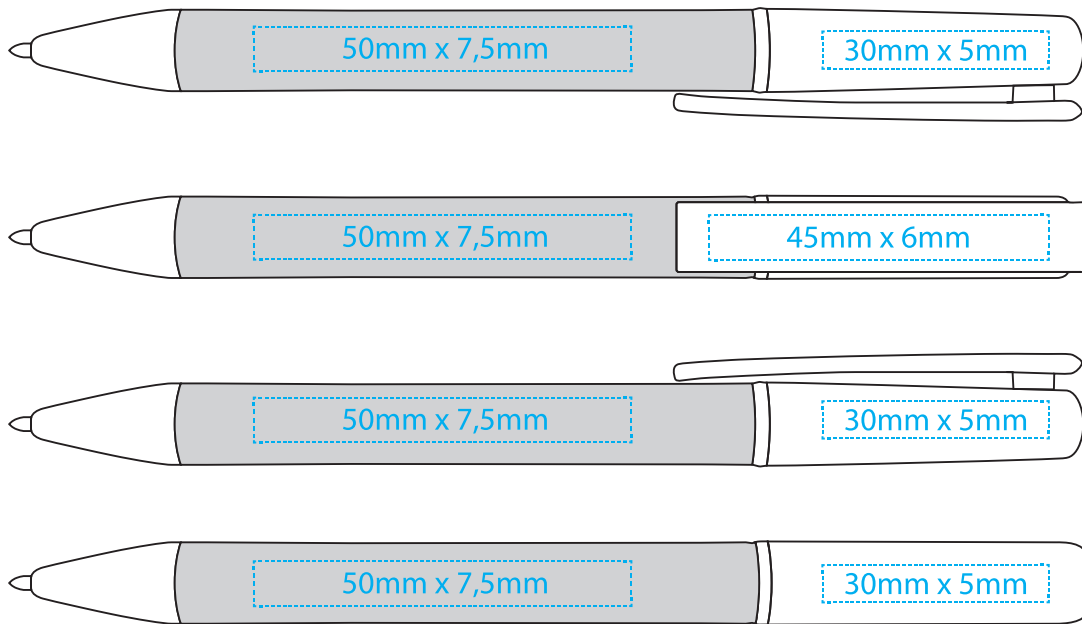


AP5060



Pad printing

